

Recommendation for cleaning and disinfection of Fundus Camera

It is recommended to wear disposable gloves for cleaning and disinfection

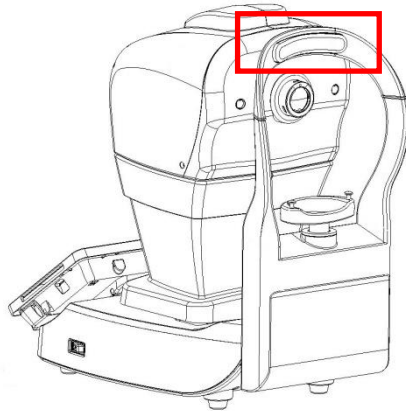
Cleaning material

75% alcohol, non-woven cloth

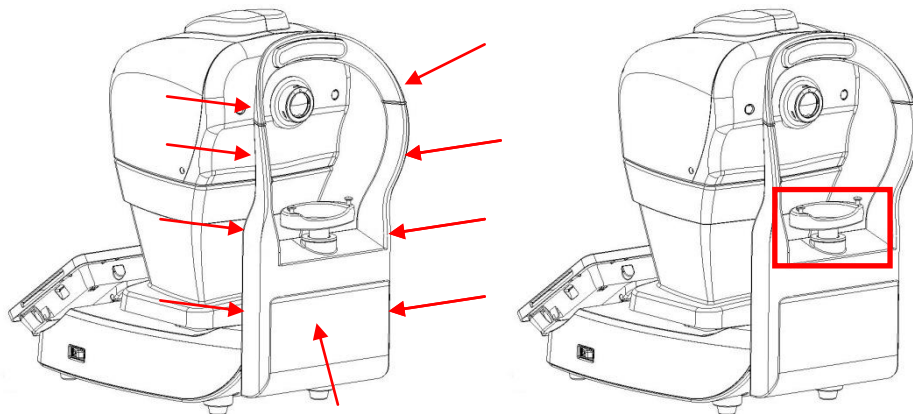
Steps for cleaning and disinfection

The following red box areas and red arrow point areas are the surfaces that will be touched frequently. These areas should be cleaned and disinfected before each use. Wet the non-woven cloth with alcohol 75% and wipe the area which describe as follows

- 1) Forehead area

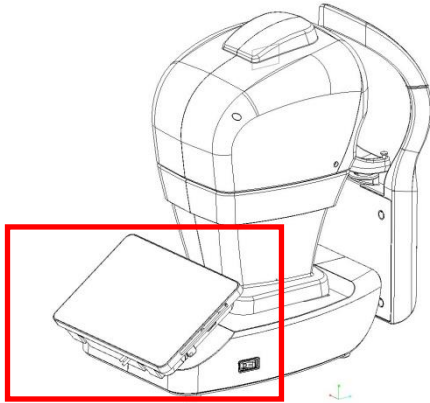


- 2) Chinrest housing (patient touch area)



The following red box areas and red arrow point areas are the surfaces should be cleaned and disinfected regularly.

3) PC - Screen surface



4) On/off switch area



5) Housing (Head cover)

