

ULTRASOUND DEVICE UD-800

MODULAR A/B-SCAN SYSTEM

DELIGHT IN SIGHT

All in one. For complete
ultrasound diagnostic
needs.



- Modular configurable
- Internal database (via USB Stick)
- Biometer A-scan 10 MHz
- 10 MHz 2-ring array B-probe
- Pachymetry (optional)
- UBM 40 MHz B-probe (optional)
- A-diagnostic probe (optional)

 **TOMEY**
TECHNOLOGY AND VISION

THE TOMHEY ULTRASOUND DEVICE UD-800



QUALITY IN DETAIL

B-scanner, Biometer, Pachymeter and A-Diagnostic – all in one.

The **UD-800** was developed to satisfy all your expectations. Features like the new generation of annular array probes, high resolution touch-screen operation or data communication via USB or LAN makes this device easy in handling and efficient and fast in operation.

Simply choose all your needed features! With its included 10 MHz unique 2-ring array B-Scan probe and the A-Scan biometry probe the UD-800 is a fantastic basic tool for a high end performance.

An intuitive software guides you easily through all measurements, which can be printed out (internal printer as well as external printer). Or just simply save the data on the internal database or on the PC. With the DICOM conform export hospital networks are no problem anymore or just simple pure data export, it is your choice.

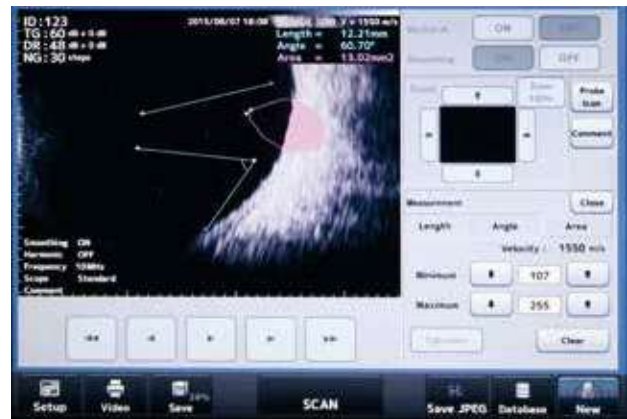
FIVE PROBES

Decide for more options now or later – with the optional 40 MHz linear UBM or 20 MHz Pachymetry probe – they are all easy to attach. Even A-diagnostic with the log, linear or S-mode is no problem.



UNIQUE 10 MHZ 2-RING ARRAY B-PROBE

Advanced vitreous diagnostic examination due to our new optimised wide field tissue penetration mode.



INTERNAL DATABASE

You can simply save the data on the internal database (via USB stick) or on the PC.



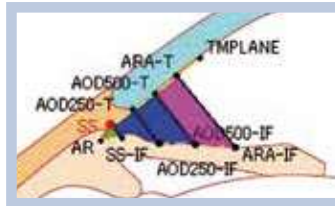
40 MHZ UBM (OPTIONAL)

Membrane waterproofed cap (disposable) provides fast and easy testing without the need of a water bath. Due to this technology you are able to examine your patient in an upright position with much more comfort – for you and your patient.

MEMBRANE CAP



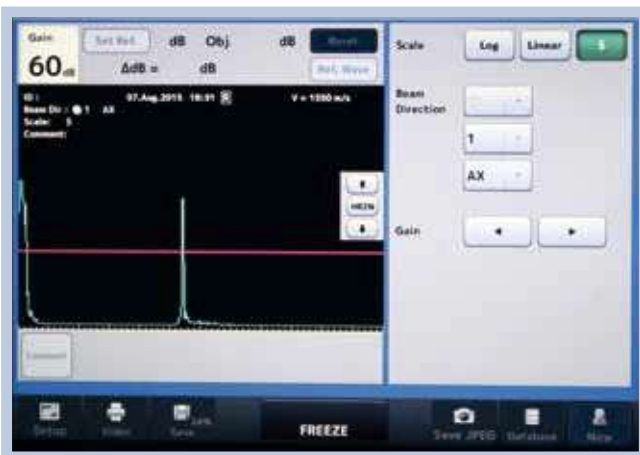
ANGLE ANALYSIS



Biometry



IOL calculation



Standardised A-diagnostic with S-mode



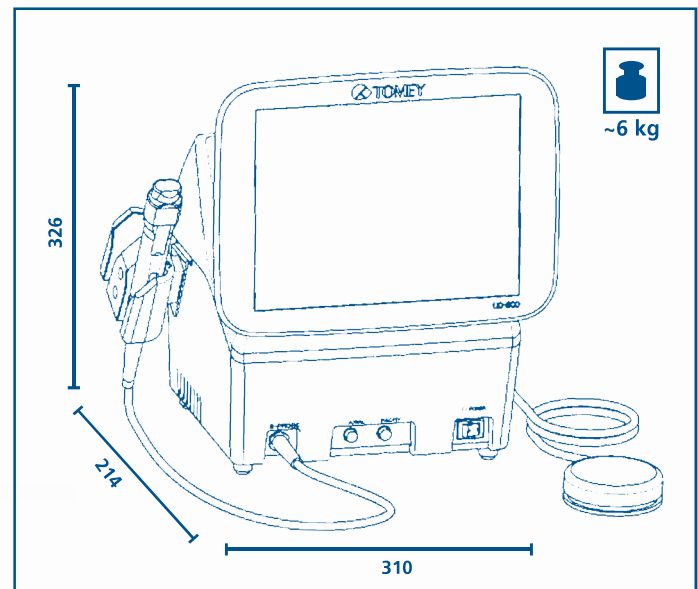
Pachymetry with central and map function

SPECIFICATIONS

| | |
|---|--|
| 10 MHZ B-PROBE 2-RING SECTOR SCANNING | |
| Frame rate basic mode | 20 frames / sec |
| Maximum number of pages in a movie | 200 pages x 2 |
| Image display range | |
| Standard | 35.2 mm / 52° (at ultrasound velocity = 1,550 m/sec) |
| Wide | 48.0 mm / 52° (at ultrasound velocity = 1,550 m/sec) |
| Axial & lateral resolution / accuracy | 0.6 mm / ±0.5 mm |
| Acoustic lines | 131 lines (step by 0.4°) |
| Colour scale | 256 scale level |
| 40 MHZ UBM PROBE SINGLE LINEAR SCANNING | |
| Frame rate basic mode | 10 frame / sec |
| Maximum number of pages in a movie | 100 pages x 2 |
| Image display range | 9 mm (W) x 7mm (D) (at 1,550 m/sec) |
| Axial & lateral resolution / accuracy | 0.05 mm / ±0.1 mm |
| Minimum distance unit between cursors | 0.02 mm step (at 1,550 m/sec) |
| Acoustic lines | 450 lines (step by 0.02 mm) |
| Colour scale | 256 scale level |
| BIOMETRY 10 MHZ SOLID STATE PROBE WITH BUILT IN RED FIXATION LED | |
| Measurement range | 45.00 mm |
| Measurement resolution / accuracy | 0.01 mm / ±0.1 mm |
| IOL power calculation | Haigis standard Haigis optimised Hoffer ®Q Holladay 1 SRK II SRK/T SRK SHOWA Shammas-PL SRK/T Double K |
| A-SCAN DIAGNOSIS 10 MHZ SOLID STATE PROBE | |
| Measurement range | 60 mm |
| Measurement resolution / accuracy | 0.01 mm / ±0.1 mm |

| | |
|--|----------------------------------|
| PACHYMETRY 20 MHZ SOLID STATE PROBE TIP 1.5 MM WITH AN ANGLE OF 45° | |
| Measurement range | 150 to 1,500 µm |
| Measurement resolution / accuracy | 1 µm / ±5 µm |
| Percent bias | 60 to 130% |
| Plus minus bias | -600 to +450 µm |
| Velocity range / standard | 1,400 to 2,000 m/s / 1,640 m/s |
| CONNECTORS | |
| B-scan for 10 or 40 MHz, a-scan / pachymeter, foot switch, LAN, 2 x USB (standard / PictBridge), DICOM work list | |
| DIMENSIONS AND WEIGHT | |
| Dimension WDH | 310 x 214 x 326 mm |
| Weight | 6.0 kg |
| DISPLAY | |
| TFT LCD | 10.4 inches, colour touch screen |
| POWER SOURCE | |
| Input Voltage | 100-240 VAC |
| Frequency | 50/60 Hz |
| Power consumption | 120 VA |

DIMENSIONS



2017/11 - subject to change without notice



TOMEY EUROPE
TOMEY GmbH
 Wiesbadener Straße 21
 90427 Nürnberg, Germany
 Phone +49 911 938 546 2 0
 Fax +49 911 938 546 2 20
 Email info@tomey.de

TOMEY ASIA-PACIFIC
TOMEY CORPORATION JAPAN
 2-11-33 Noritakeshinmachi
 Nishi-ku, Nagoya 451-0051, Japan
 Phone +81 52 581 5327
 Fax +81 52 561 4735
 Email intl@tomey.co.jp

TOMEY
 TECHNOLOGY AND VISION

www.tomey.de